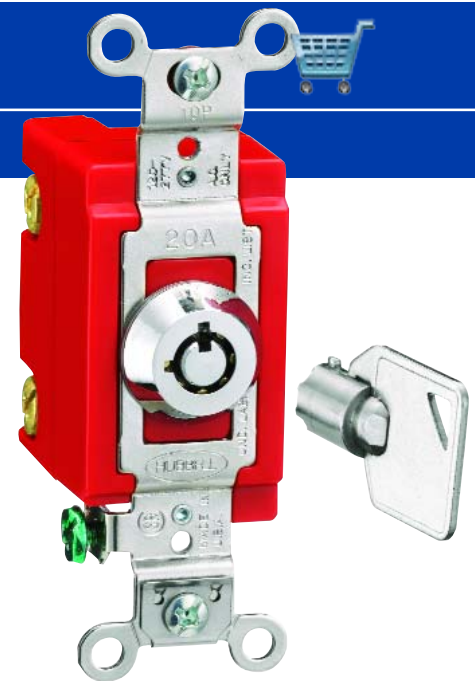


AC Industrial Switches

Barrel Key Locking Switch



Lock Out Protection... ...No Problem.



Maximum Tamper Resistance

Barrel locking switches offer maximum tamper resistance for demanding security needs. Hubbell offers the best in pick-resistant switches. The six-point tumbler cylinder provides added security to supply override protection from unwarranted access. Barrel locks have been commonly used for fire system control, restricted access and security equipment. Now, Hubbell has designed the barrel lock into its industrial line of AC switches to put you in control.

Authorized Access Only

Barrel key switches limit access to give only authorized personnel the ability to operate switches that control lights and equipment. Light switches placed in public or semi-public areas play an important role in security and safety. Whether for schools, institutions, theaters, or public buildings good lighting provides safety. Using the proper switch increases the security.



Superior Performance

Hubbell's AC barrel key locking switch is the better lockout. Whether you need to guard against pranks or require a higher level of protection, the barrel lock is the answer. Its round design renders knives, paper clips and other flat objects virtually useless. The round barrel key used to activate the cylindrical tumblers cannot easily be duplicated.

Features:

- Barrel lock and key for maximum security.
- Six-point tumbler cylinder provides superior pick-resistance.
- Push turn ratcheting feel with rotary 9-12 o'clock action for intuitive use.
- Locks keyed alike for planned security use by authorized management and maintenance personnel.
- Tapered head, steel lock construction resists impact.
- Hubbell industrial AC switch design.
- Available in single pole, double pole, 3-way and 4-way versions.
- Available with clearly marked stainless steel wall plates in one and two gang configurations, sold separately.
- Stainless steel wall plates shipped with both standard and tamperproof screws for specifier options.



Wiring Device-Kellems

www.hubbell-wiring.com

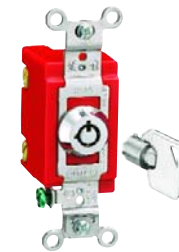
Ordering Information

20 Amp 120-277 Volt AC Industrial Switches

Description	Catalog Numbers
Single pole	HBL1221RKL
Double pole	HBL1222RKL
Three-Way	HBL1223RKL
Four-Way	HBL1224RKL

Wall Plates and Accessories

Description	Catalog Numbers
Single gang, 302 stainless steel with on/off marking	S12RKL
Single gang, 302 stainless steel with position marking	S12RKL M
Two gang, 302 stainless steel with on/off marking	S22RKL
Two gang, 302 stainless steel with position marking	S22RKL M
Tamper proof wall plate screws 1/2", SS spanner head	HBL7342RKL
Screw driver for spanner head screws	HBL7372RKL
Barrel key - replacement	HBL1209RKL



HBL1221RKL



Wall Plates and Accessories

Switch Performance Data

Mechanical

Barrel Key Lock	6 point tumbler cylinder
Rotary On/Off	9:00 o'clock to 12:00 o'clock on/off activation
Terminal Accommodations	#14 AWG Min. -#10 AWG Max. solid and stranded wire, back and side wire

Electrical

Dielectric Voltage	Withstands 1500V AC minimum
Max. Working Voltage	277V AC
Overload	Minimum 4.8 times rated current for 100 cycles
Temperature Rise	30° C maximum at rated current
Max. Continuous Current	20A
Endurance	30,000 cycles min.
Ground	Grounding screw and automatic grounding clip

Environmental

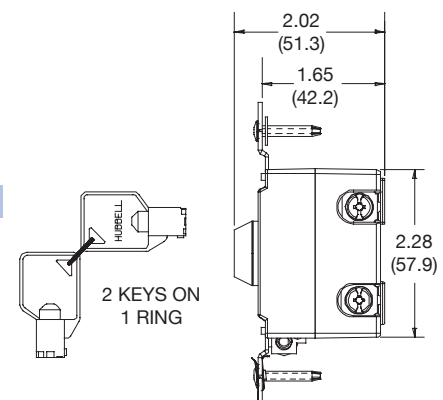
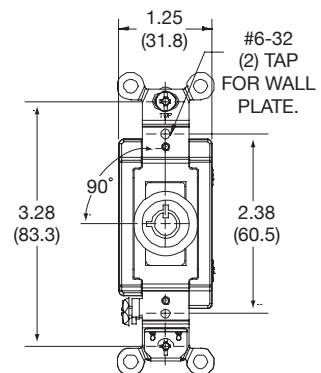
Flammability	UL 94V-2.
Operating Temperature	Max. continuous: 75°C Min. continuous: -40°C without impact

Listings

UL 20 Listed	File #E3896
CSA Certified C22.2	LR17339

HP Conversion Chart

	120V	240V
15A	1/2HP	2HP
20A	1 HP	2HP



Wiring Device-Kellems